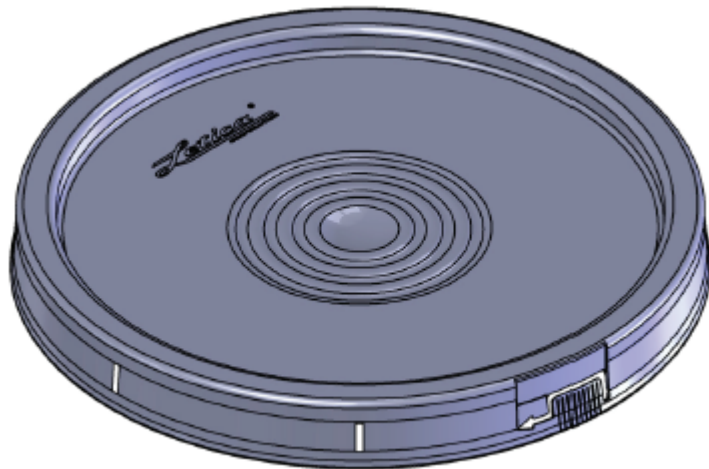
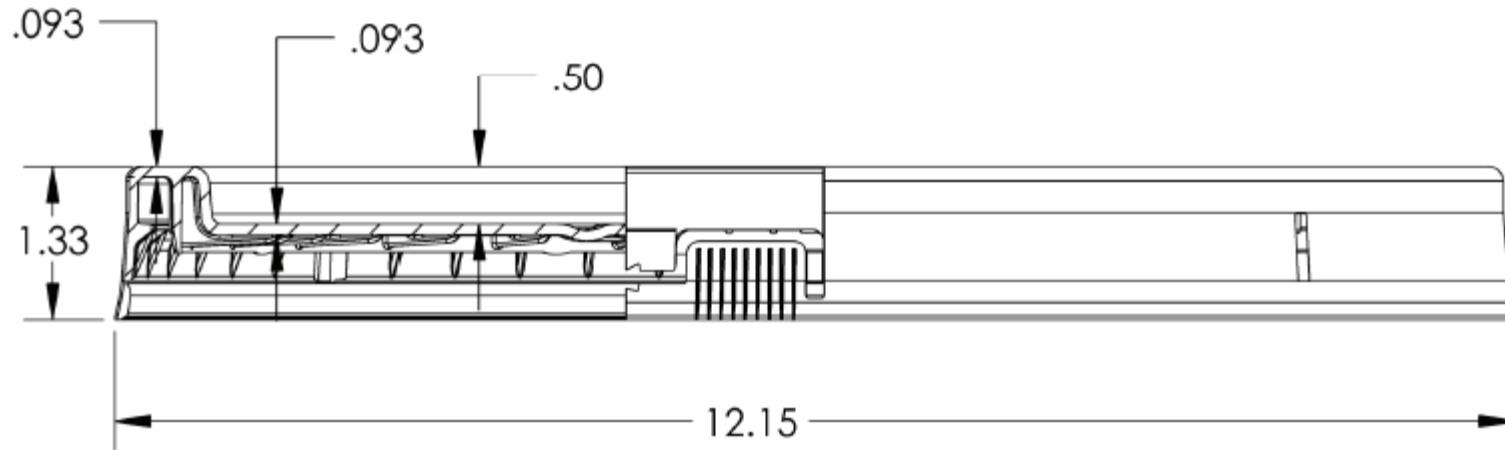




105914 White HDPE Lid with Rieke Spout for 5 gal. HDPE Pail
K.G. International - sales@kgint.com - +1 305 499-9816



| | |
|-------------------------|------------------------------|
| REFERENCE WEIGHT | 275g |
| GASKET | SBR or EPDM |
| RESIN | Premium Injection Grade HDPE |